

P/N:134013880_Ver201510

1 Before Installation

Checking Package Contents

- 1* 16/24 ports Ethernet Switch
- 1* Power Cord
- 1* Quick Installation Guide

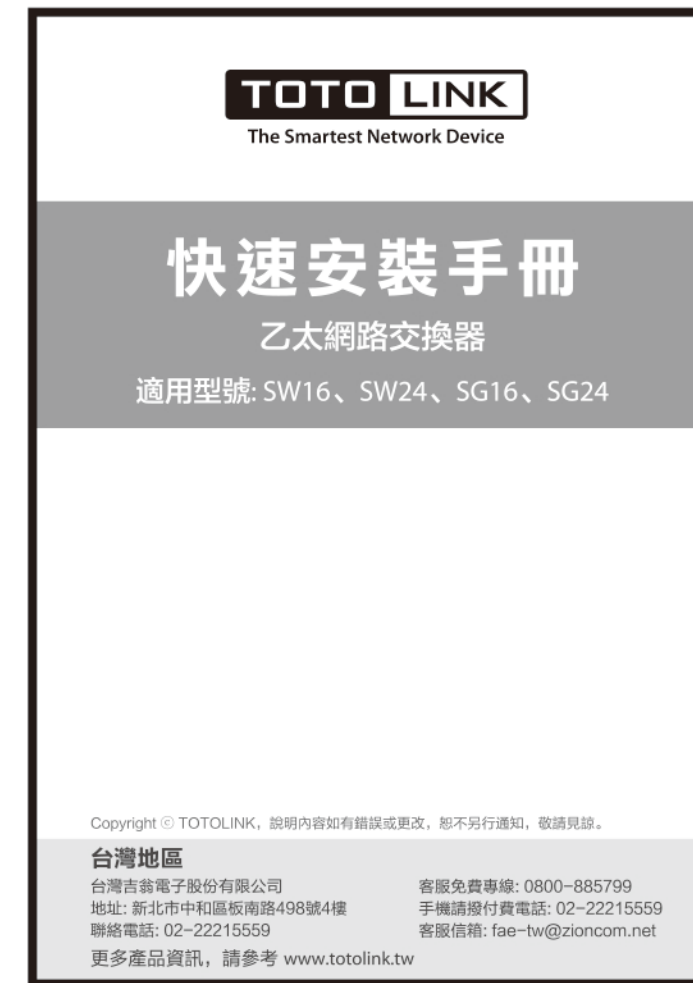
Appearance



(Take SW16 & SW24 for Example)

LED Indicators

LED Indicator	Status	Indication
PWR	on	Lights yellow when the switch is receiving power
	off	Powered off
LINK/ACT	on	Connected to network lights on, data transmission blinks yellow
	off	Not connected



1 產品介紹

包裝內容

- 1* 16/24埠乙太網路交換器
- 1* 電源線
- 1* 快速安裝手冊

產品外觀

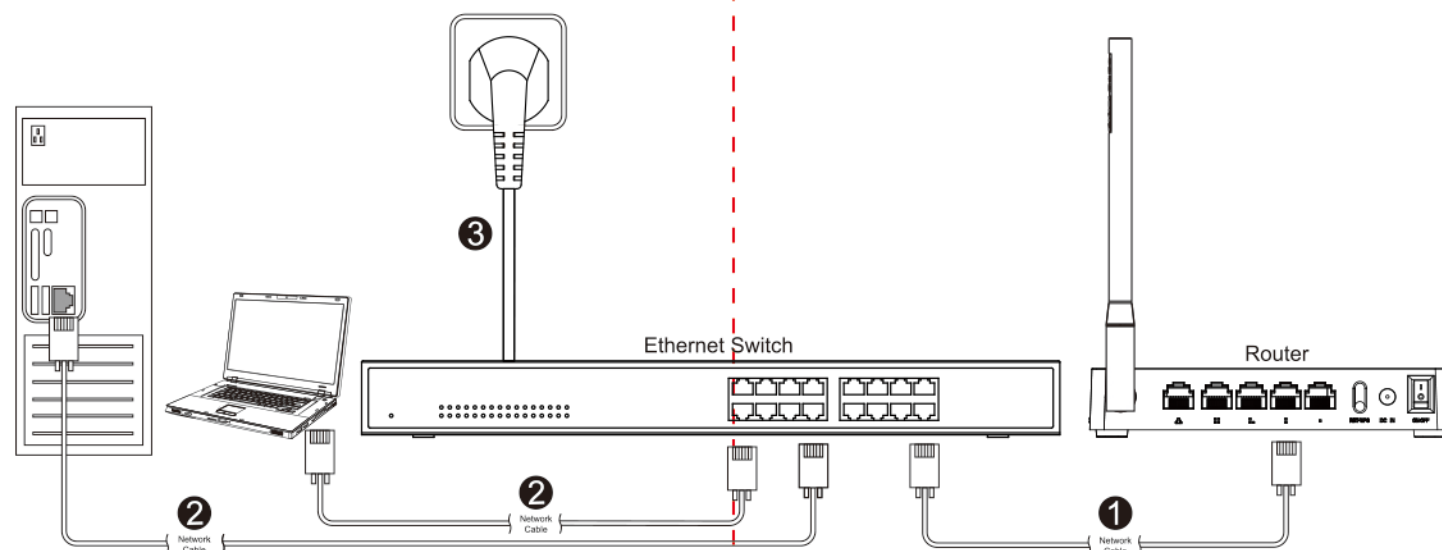


以SW16 & SW24為例

LED燈號說明

LED指示燈	狀態	說明
PWR	燈亮	電源接通黃燈亮起
	燈滅	未連接電源
LINK/ACT	燈亮	連接網路孔黃燈亮起, 資料傳輸黃燈閃爍
	燈滅	網路孔未連接

2 Hardware Installation Refer to the application scene graph below



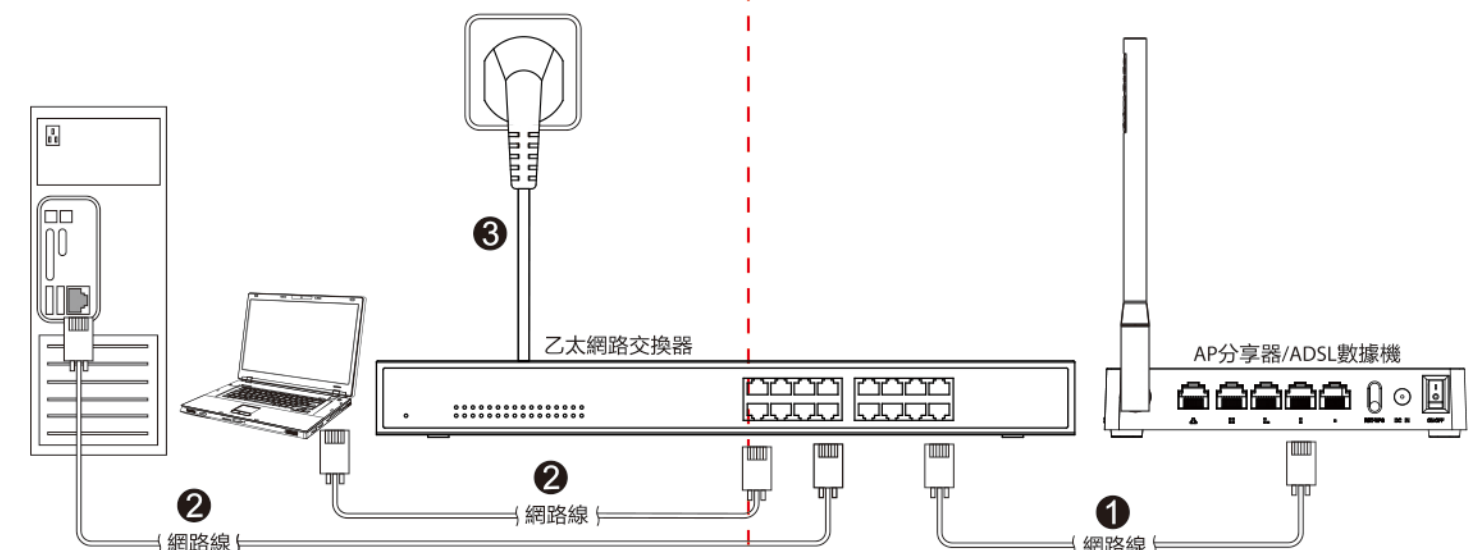
- 1 Connect one Ethernet port of the switch to anyone of router's LAN port by cable
- 2 Connect PC's RJ45 port to one switch port.
- 3 Plug the power cord into the power socket and the switch's DC IN port.



Notice

1. The switch should be used indoor only.
2. Use the Power cord comes with the switch.
3. Set the device on a flat surface strong enough to support the entire weight of the device with all fittings.
4. Don't place heavy objects on the switch.

2 接線方式 請參考下列說明



- 1 使用網路線, 連接交換器(任一網路孔)與AP分享器/ADSL數據機的區域網路孔。
- 2 使用第二條網路線, 連接交換器(任一網路孔)與電腦的網路孔。
- 3 連接電源。



注意

1. 請於室內使用
2. 請使用原廠附贈之電源線
3. 請放置於平坦且堅固之桌面或妥善安裝於機架上
4. 請勿放置重物於交換器上方